

Cleaner Feeder 4

The easy clean bird feeder



Food Types

Cleaner Feeders were designed to use granular feed (e.g. seeds). Peanut pieces and suet pellets may also be used, provided they are small enough not to block the feed flow.



Supplied with two removable feed stations



Holds up to 6.5 litres of feed



Four feed chambers support multiple granular feed



2.3kg empty.
5.9kg full,
using sunflower hearts (guide)



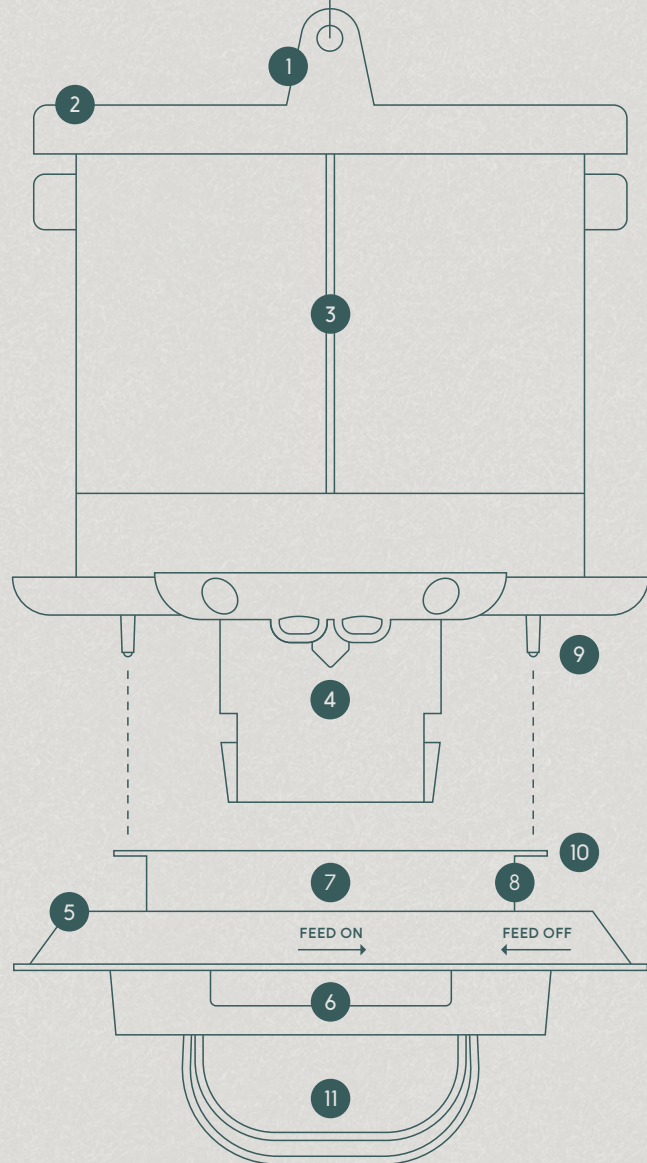
Designed, developed and manufactured in Britain



Made from fully recyclable material

KEY

1. Hanging loop
2. Lid
3. Feed chamber
4. Water drainage outlet
5. Feed station
6. Feed station handle
7. FEED ON label
8. FEED OFF label
9. Guide pins
10. Guide pin holes
11. Removal handle



Filling your feeder

Begin by closing the feed flow (fig 2), to ensure that no food is spilled whilst filling.

Unscrew the lid and pour your chosen food into the feed chambers. Replace the lid, ensure it is aligned correctly and screw it back on, making sure not to overtighten it. Open the feed flow (fig 1) to fill the feed station.

Hanging your feeder

Hang your feeder using the hanging loop on the lid. Your feeder could weigh up to 5.9kg when full. Ensure the rope/cable and feeder pole/branch/fence post used to suspend it are strong enough to hold the weight.

Preparing to clean the feeder

Before cleaning the feeder, close the feed flow (fig 1) and leave some time for the birds to eat what is left in the feed station. This helps avoid waste and spillage.

Regular cleaning routine

Experts advise that bird feeders are cleaned once a week to minimise the chance of spreading illness and disease.

Clean your feeder outside and wear gloves to reduce the chance of contaminating your home.

Removing the feed station

To remove the feed station, you must ensure the feed flow is closed (fig 1) and the feeder is upright.

Locate the handle on the underside of the feeder and unclip it. Bring the handle down so that it is perpendicular to the feed station, pointing towards the ground. You will feel the feed station drop a little. Slide the feed station down until it is free of the main feeder. Clip the handle on the feed station back into place.

Cleaning the feed station

Give the dirty feed station a thorough wash in hot water and disinfectant.

Ensure it is completely dry before refitting it to the feeder as bacteria and parasites are more likely to spread in a moist environment.

Reattaching a clean feed station

To reattach a clean feed station, hold it under the main feeder body and ensure it is aligned in the feed flow closed position (fig 2).

Slide the feed station upwards until it clicks back into place, making sure to slot the guide pins on the main body into the guide holes on the feed station.

Open the feed flow (fig 1) to fill the feed station.

Fig 1. Feed flow open Rotate the feed station so that its handle and 'FEED ON' label are aligned directly beneath the drainage outlet.

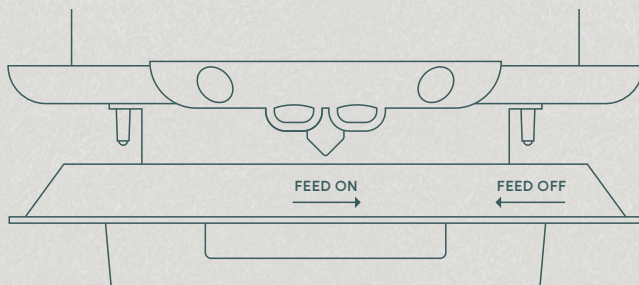


Fig 2. Feed flow closed Rotate the feed station so that the 'FEED OFF' label is aligned directly beneath the drainage outlet.

